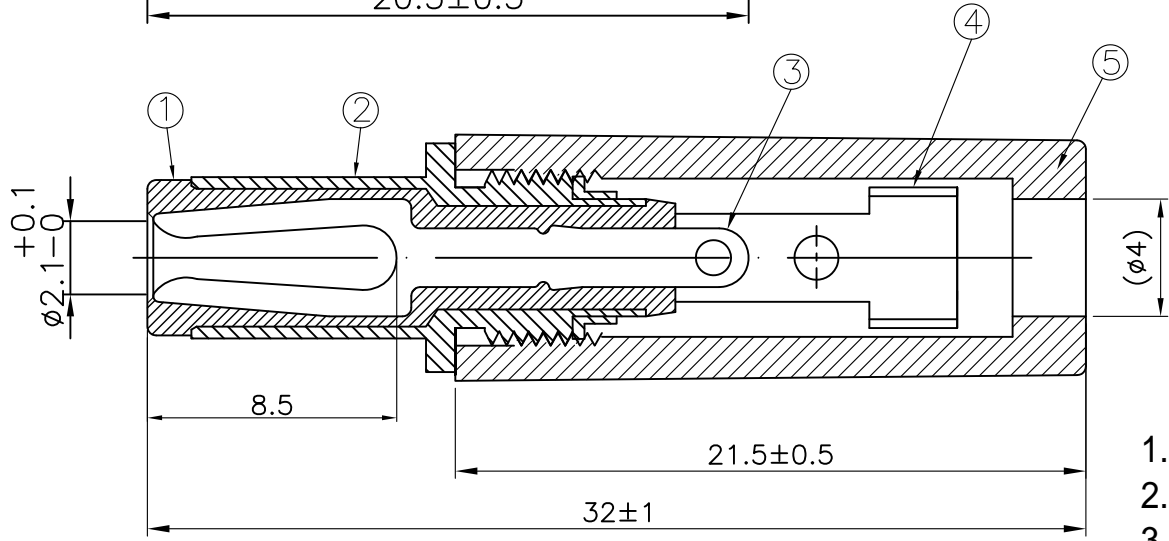
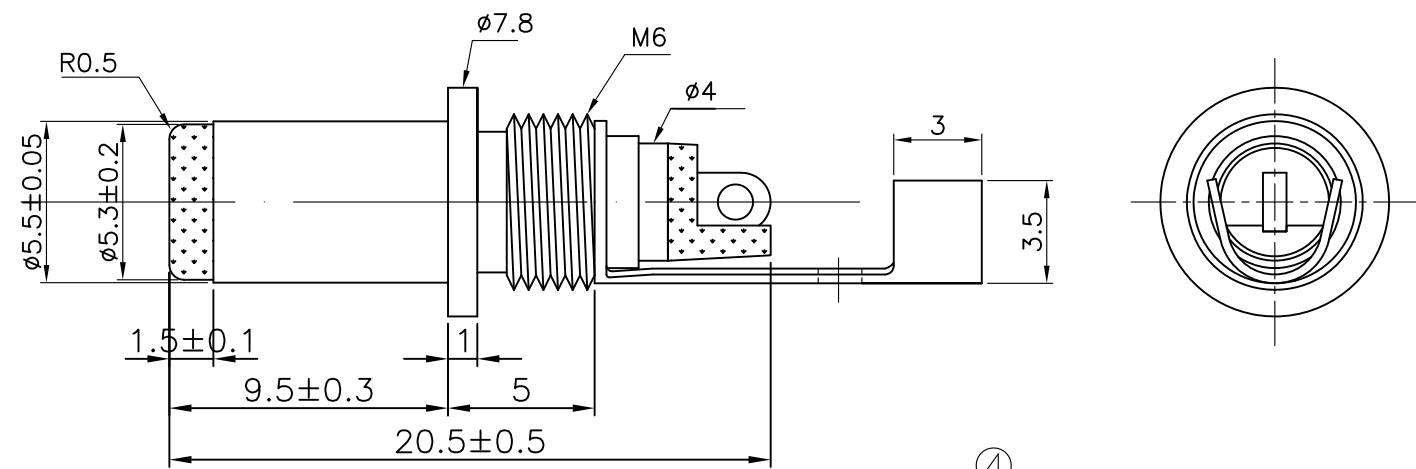


A  
B  
C  
D  
E  
F  
G

1 2 3 4 5 6 7 8 9

一般公差	
尺寸區分	公差
0>1.0	±0.1
1.0>6.0	±0.2
6.0>12.0	±0.3
12.0>25.0	±0.4
25.0>	±0.5



- 1. Dielectric Strength: AC 500V at 1 minute
- 2. Insulation resistance: DC 500V/100M ohm min.
- 3. Rated voltage: 20V DC
- 4. Rated current: 7A

7		△							<b>WTA 穩鈦興業有限公司</b> <b>Wuntair Co. LTD.</b>
6		△							
5	ABS BLACK	△							DESCRIPTION :
4	BRASS NICKEL	MARK		REVISION	DATE	SIGN	APPO		<b>DC PLUG ø5.5*ø2.1*9.5L</b>
3	P-BRONZE NICKEL	APPROVED BY	CHECKED BY	DESIGNED BY	DRAWN BY	UNIT	mm [in]	P/N :	<b>WTN-27-1140R3-C</b>
2	BRASS NICKEL	承	檢	設	制	SCALE	4 : 1	DRAWN NO:	
1	PBT BLACK					DATE	07/25/2013		REV
NO	CONTENT	認	圖	計	圖				<b>A</b>