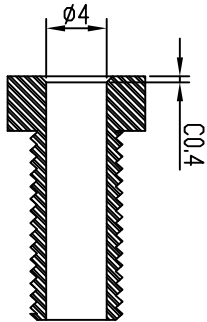
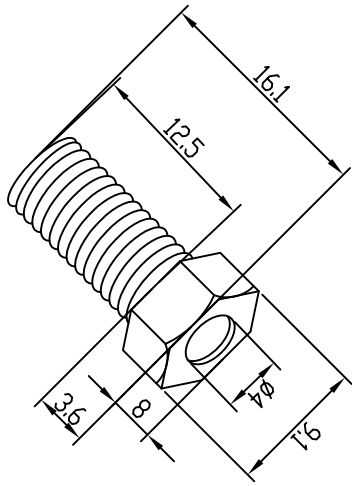
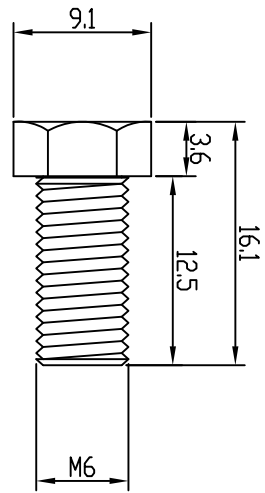
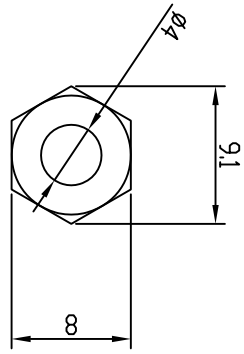


104/10/26



TOLERANCES	
0.5MM-5MM	±0.2MM
5MM-30MM	±0.4MM
30MM-120MM	±0.6MM
120MM-315MM	±1.0MM
315MM-1000MM	±1.6MM
1000MM-2000MM	±2.4MM

General Tolerance	繪圖 Draw By C.T WANG	設計 Designed By C.T WANG	比例尺 Scale 2:1
版本 Version	核准 Approved By	核准日期 Date	單位 UNIT
1		March 2003	m/m

穩鈦興業有限公司  
WUN TAIX CO., LTD.

W/TN-07-6810  
4MM BANANA JACK  
NICKEL PLATED

REF. NO.	